

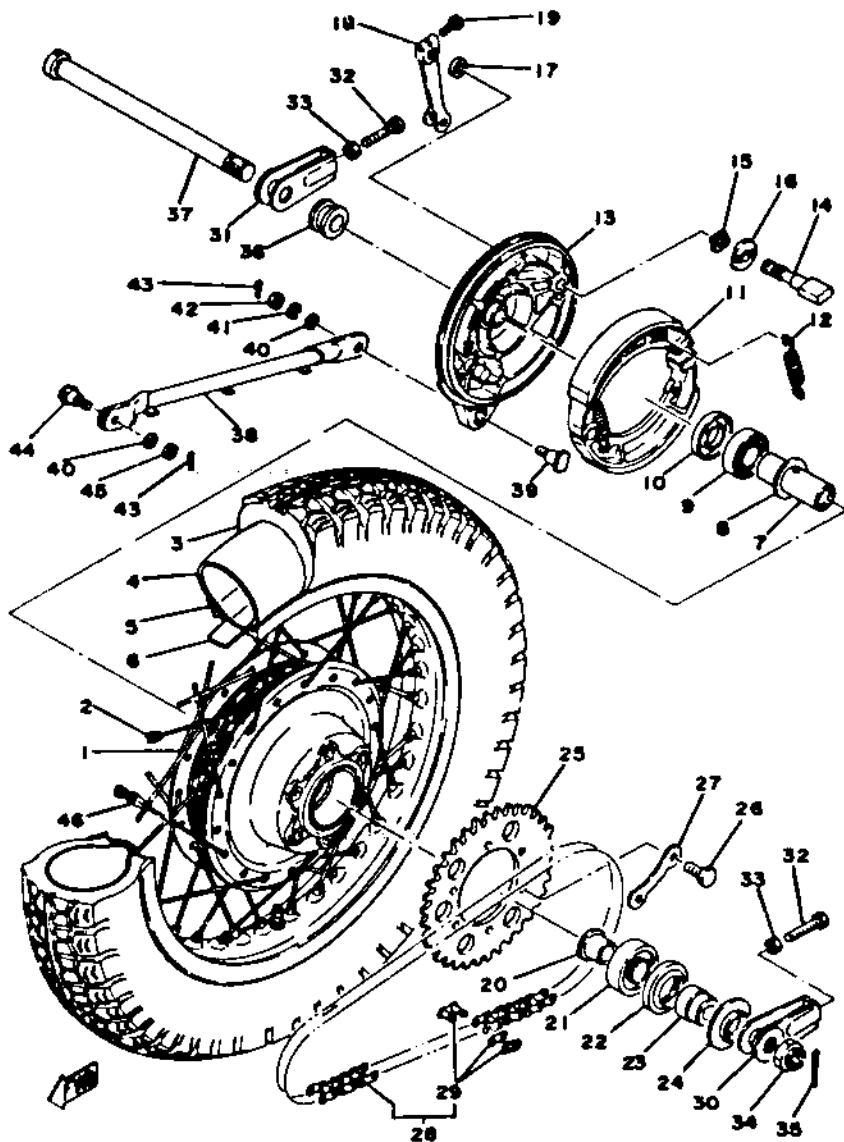
Ref. No.	Part Number	Description	DEF
1	256-25311-00-00	HUB, rear	1 1 1
2	256-25304-00-00	SPOKE SET	1s 1s 1s
3	94140-18340-00	TIRE, rear (4.00-18-4PR)	1 1 1
4	94237-18120-00	TUBE (94240-18024)	1 1 1
5	94421-18146-00	RIM (2.15B-18) (94421-18126)	1 1 1
6	94340-18022-00	BAND, rim (4.00-18)	1 1 1
7	90560-20135-00	SPACER (256-25317-00)	1 1 1
8	256-25315-00-00	FLANGE, spacer	1 1 1
9	93306-30404-00	BEARING (B6304Z)	1 1 1
10	93104-27026-00	OIL SEAL (SO-27-52-5)	1 1 1
11	447-25330-01-00	BRAKE SHOE COMP	2 2 2
12	90507-20002-00	SPRING, tension (246-25333-00)	2 2 2
13	447-25321-00-00	PLATE, brake shoe	1
	1T3-25026-00-00	PLATE, brake shoe (1T3-25320-00)	1 1 1
14	90480-10068-00	GROMMET	1 1 1
15	341-25351-00-00	CAMSHAFT	1 1 1
16	90206-14020-00	WASHER, wave (648-42188-00)	1
17	447-25353-00-00	SHIM, camshaft	1 1
	90201-14577-00	SHIM, camshaft	1 1

**XS650D/E**

Tires (size/normal pressure) | Front: 3.50H-19/23psi / Rear: 4.00H-18/28psi

**XS850F**

Tire Size (Nominal Pressure) | F: 3.50H19(1.6 kg/cm<sup>2</sup>/22 psi) R: 4.00H18(2.0 kg/cm<sup>2</sup>)



Ref. No.	Part Number	Description	DEF
18	148-25359-00-00	SEAL, camshaft	1 1 1
19	341-25355-00-00	LEVER, camshaft	1 1 1
20	90101-06225-00	BOLT, hexagon	1
	90101-06291-00	BOLT, hexagon	1 1
21	90387-20166-00	COLLAR (258-25376-00)	1 1 1
22	93306-30507-00	BEARING (B6305Z)	1 1 1
23	93102-35065-00	OIL SEAL (SD-35-62-9)	1 1 1
24	90387-20176-00	COLLAR (258-25377-00)	1 1 1
25	256-25367-00-00	COVER, dust	1 1 1
26	256-25432-20-33	GEAR, sprocket wheel (32T)	1 1 1
	256-25433-20-33	GEAR, sprocket wheel (33T)	1 1 1
	256-25434-20-33	GEAR, sprocket wheel (34T)	1 1 1
	256-25436-20-33	GEAR, sprocket wheel (36T)	1 1 1
27	90105-10007-00	BOLT (146-25411-00)	6 6 6
28	256-25412-00-00	WASHER, lock	3 3 3
29	94580-05104-00	CHAIN (94575-30104)	1 1 1
30	94680-05011-00	JOINT, chain (94675-30011)	1 1 1
30	341-25388-01-00	PULLER, chain left	1 1 1
31	341-25389-00-00	PULLER, chain right	1 1 1
32	90101-08034-00	BOLT, hexagon (168-25479-00)	2 2 2

### XS650D/E

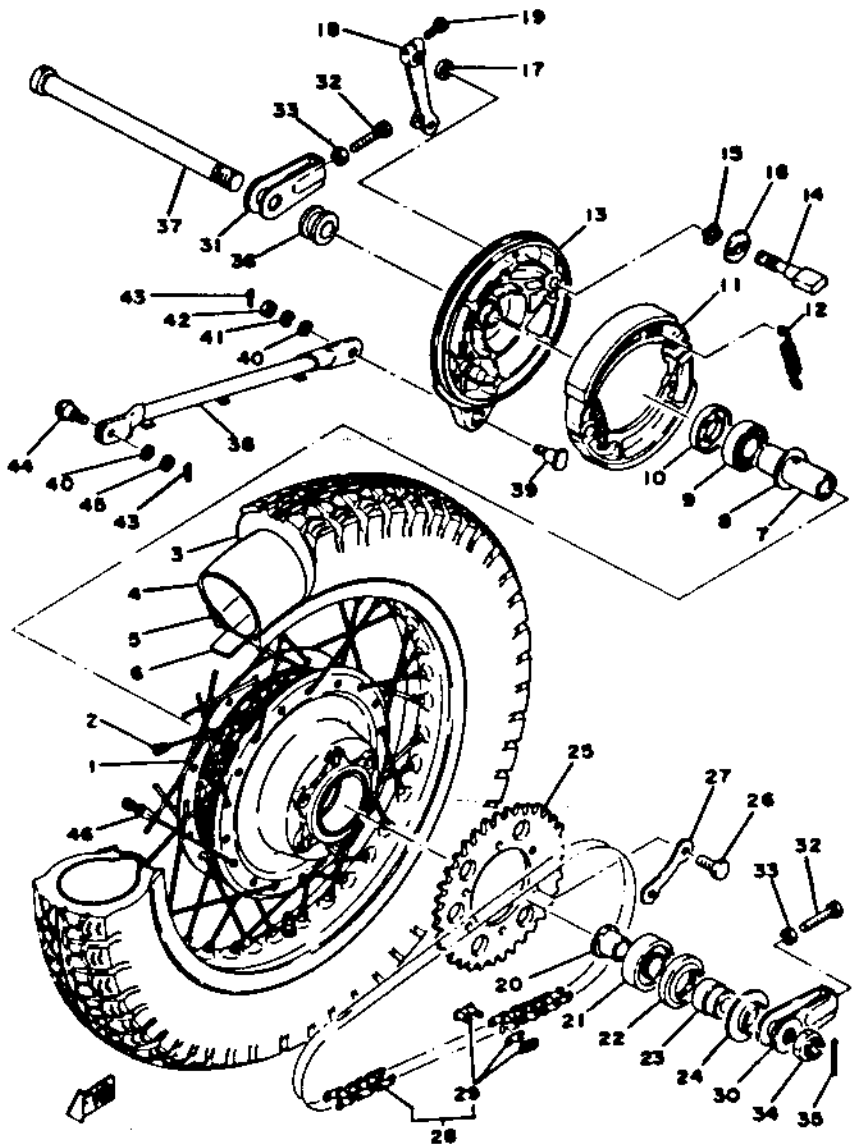
Tires (size/normal pressure)

Front: 3.50H19/23psi / Rear: 4.00H18/28psi

### XS650F

Tire Size (Nominal Pressure)

F: 3.50H19(1.6 kg/cm<sup>2</sup> / 22 psi) R: 4.00H18(2.0 kg/cm<sup>2</sup> / 28 psi)



Ref. No.	Part Number	Description	DEF
33	90170-08158-00	NUT, hexagon	2
	95301-08700-00	NUT, hexagon	2 2
34	90171-18008-00	NUT, castle (256-25382-00)	1 1 1
35	91401-40040-00	PIN, cotter (91401-40035)	1 1 1
36	90387-20444-00	COLLAR (341-25383-00)	1 1 1
37	341-25381-00-00	SHAFT, wheel	1 1 1
38	1T3-25371-00-00	BAR, tension (341-25371-00)	1 1 1
39	90109-08338-00	BOLT (341-25378-00)	1 1 1
40	92901-086C0-00	WASHER, plate	2 2 2
41	92903-08100-00	WASHER, spring	1 1 1
42	90170-08158-00	NUT, hexagon	1 1 1
43	91401-20015-00	PIN, cotter	2 2 2
44	90109-08374-00	BOLT	1 1 1
45	90170-08157-00	NUT, hexagon	1 1 1
46	156-25398-00-00	BALANCER, wheel	UNUNUN

**XS650D/E**

Tires (size/normal pressure) [Front: 3.50H-19/23psi / Rear: 4.00H-18

**XS650F**

Tire Size (Nominal Pressure) F:3.50H19/1.6 kg/cm<sup>2</sup>/22 psi/R:4.00H18/2.0 kg/cm<sup>2</sup>