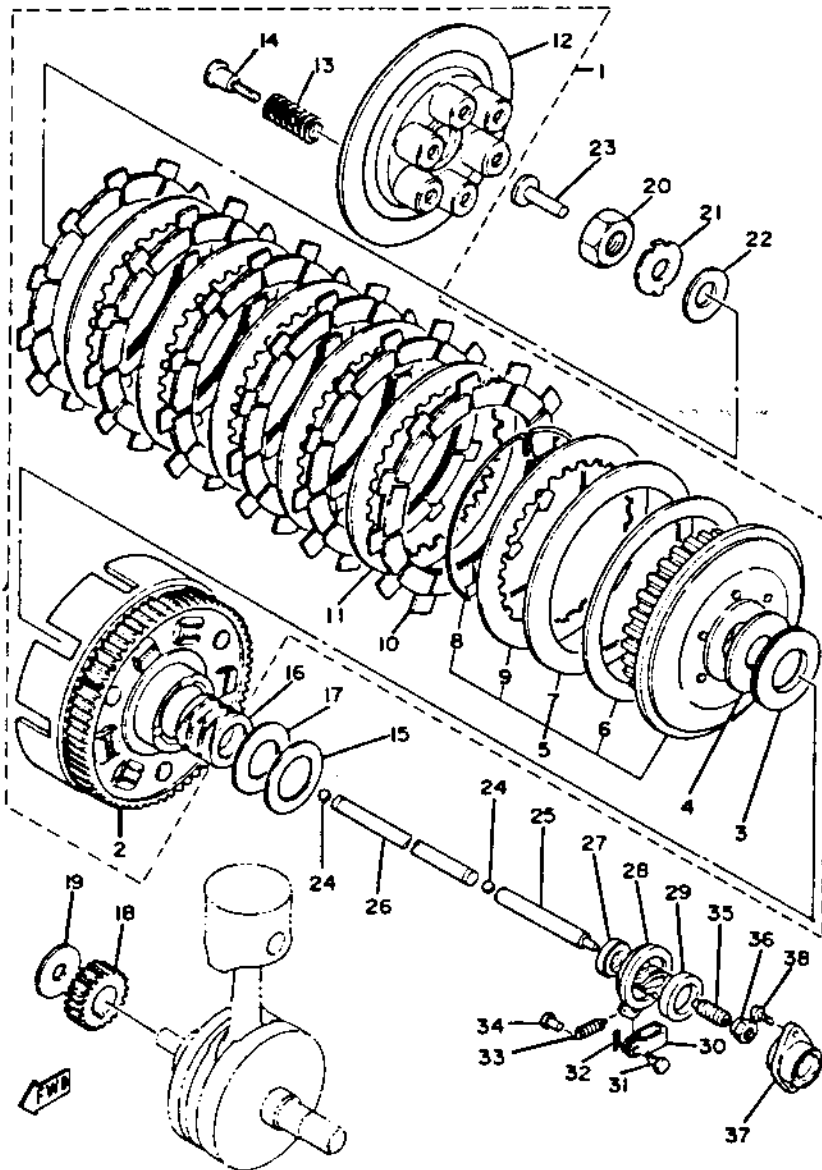


1	1T3-16301-00-00	CLUTCH ASS'Y	1
2	256-16150-02-00	PRIMARY DRIVEN GEAR COMP (72T)	1
3	93341-23504-00	BEARING	1
4	170-16164-00-00	PLATE, thrust 2	1
5	1T3-16370-00-00	CLUTCH BOSS ASS'Y	1
6	2H7-16384-00-00	PLATE, seat	1
7	2H7-16383-00-00	SPRING, clutch boss	1
8	1T3-16385-00-00	RING, clutch boss	1
9	256-16325-00-00	PLATE, clutch 2	1
10	341-16321-13-00	PLATE, friction	6
11	341-16325-01-00	PLATE, clutch 2	5
12	341-16351-01-00	PLATE, pressure 1	1
13	90501-23142-00	SPRING, compression	6
14	90749-06102-00	SCREW	6
15	90201-25290-00	WASHER, plate	1
16	90560-25131-00	SPACER	1
17	170-16164-00-00	PLATE, thrust 2	1
18	256-16111-00-00	GEAR, primary drive (27T)	1
19	90201-16579-00	WASHER, plate	1
20	90170-18221-00	NUT	1



21	90215-19139-00	WASHER, lock.	1
22	90208-18025-00	WASHER, conical spring	1
23	256-16356-00-00	ROD, push 1.	1
24	93505-16006-00	BALL	2
25	447-16357-01-00	ROD, push 2.	1
26	341-16376-00-00	ROD, push 3.	1
27	93102-08206-00	OIL SEAL	1
28	1T3-16340-00-00	PUSH LEVER ASS'Y	1
29	214-16347-01-00	SEAL, dust	1
30	214-16389-00-00	JOINT	1
31	90240-06005-00	PIN, clevis	1
32	91401-10010-00	PIN, cotter	1
33	90506-10023-00	SPRING, tension	1
34	132-16346-00-00	HOOK, spring	1
35	90113-08021-00	BOLT, set	1
36	90179-08179-00	NUT	1
37	256-16396-01-00	HOUSING, push screw	1
38	98503-05012-00	SCREW, pan head (98501-05012)	2

Clutch Friction Plate Thickness Std ~ min.

3.0 ~ 2.7mm

Clutch Spring Length Std ~ min.

34.6 ~ 33.6mm