

Ref. No.	Part Number	Description	DEF
1	447-11400-01-00	CRANK ASS'Y	1 1 1
2	256-11412-01-00	. CRANK 1, left.....	1 1 1
3	256-11422-01-00	. CRANK 1, right.....	1 1 1
4	256-11432-02-00	. CRANK 2, left.....	1 1 1
5	306-11442-03-00	. CRANK 2, right.....	1 1 1
6	447-11651-00-00	. ROD, connecting	2 2 2
7	93310-62660-00	. BEARING, con-rod big end....	2 2 2
8	90209-26014-00	. WASHER (256-11685-00).....	4 4 4
9	256-11681-00-00	. PIN, crank left.....	1 1 1
10	306-11681-00-00	. PIN, crank right	1 1 1
11	256-11561-00-00	. SHIM, crank (32.2-44-1.0)	4 4 4
12	93390-00003-00	. BEARING.....	3 3 3
13	93410-32019-00	. CIRCLIP.....	2 2 2
14	447-11549-01-00	. SPROCKET, cam chain (18T)	1 1 1
15	93306-30604-00	. BEARING (B6306 C3 special)	1 1 1
16	447-11631-01-96	PISTON (74.96mm STD)	2 2 2
	447-11635-01-00	PISTON (75.25mm 1st O.S.)	2 2 2
	447-11636-01-00	PISTON (75.50mm 2nd O.S.)....	2 2 2
	447-11637-01-00	PISTON (75.75mm 3rd O.S.)....	2 2 2
	447-11638-01-00	PISTON (76.00mm 4th O.S.).....	2 2 2
	447-11630-00-00	PISTON ASS'Y (STD)	1s 1s
	447-11630-10-00	PISTON ASS'Y (1st O.S.).....	1s 1s
	447-11630-20-00	PISTON ASS'Y (2nd O.S.)	1s 1s
	447-11630-30-00	PISTON ASS'Y (3rd O.S.).....	1s 1s
	447-11630-40-00	PISTON ASS'Y (4th O.S.).....	1s 1s

XS650D

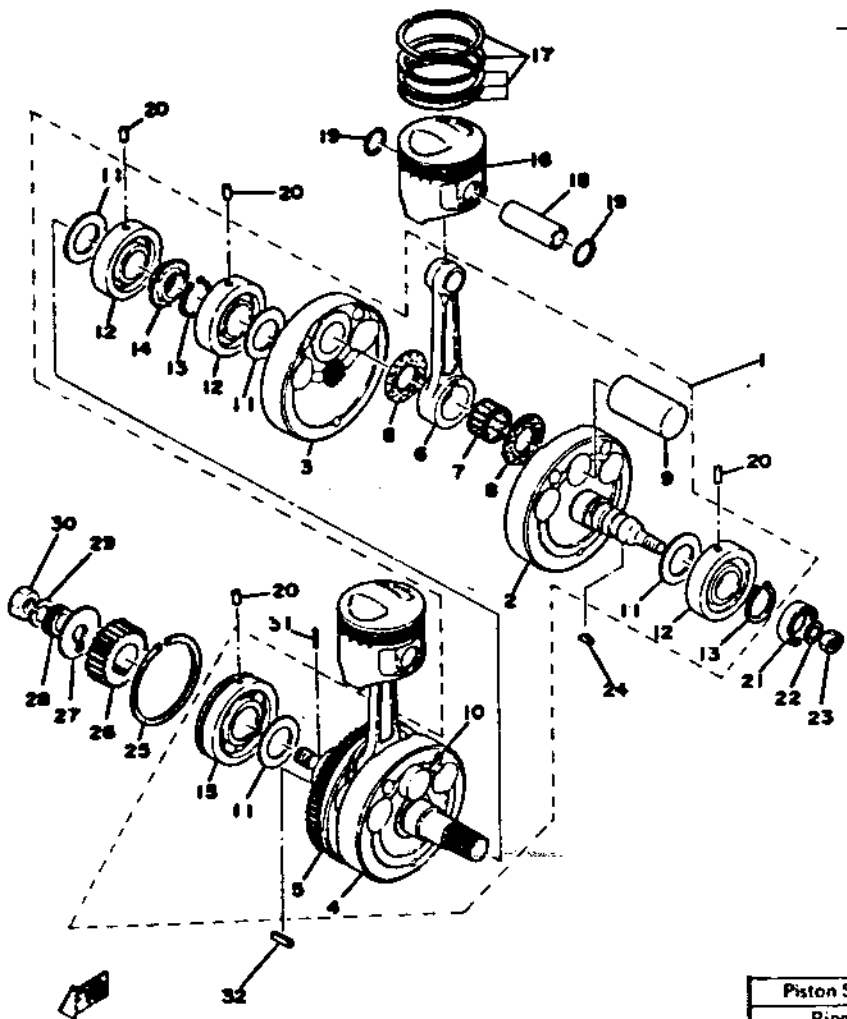
Piston Skirt Clearance (new/max.)	.050 ~ .055mm (.0020 ~ .0022") / 0.1mm (.004")
Ring End Gap (top/2nd/3rd)	0.2 ~ 0.4mm (.008 ~ .016") / Same / ϕ
Ring Groove Clearance (top/2nd/3rd)	.04 ~ .08mm (.0016 ~ .0032") / .03 ~ .07mm / ϕ

XS650E

Piston Skirt Clearance new/max.	.050 ~ .055mm / 0.1mm
Ring End Gap top/2nd/3rd	0.2 ~ 0.4mm / same / 0.3 ~ 0.9mm

XS650F

Piston Skirt Clearance new/max.	0.050 ~ 0.055mm / 0.1mm
Ring End Gap top/2nd/3rd	0.2 ~ 0.4mm / 0.2 ~ 0.4mm / 0.3 ~ 0.9mm



Ref. No.	Part Number	Description	DEF
17	447-11610-00-00	PISTON RING SET (STD).....	2s 2s 2s
	447-11610-10-00	PISTON RING SET (1st O.S.) ...	2s 2s 2s
	447-11610-20-00	PISTON RING SET (2nd O.S.) ...	2s 2s 2s
	447-11610-30-00	PISTON RING SET (3rd O.S.) ...	2s 2s 2s
	447-11610-40-00	PISTON RING SET (4th O.S.) ...	2s 2s 2s
18	447-11633-00-00	PIN, piston	2 2 2
19	93450-22027-00	CLIP (341-11634-00)	4 4 4
20	93605-12069-00	PIN, dowel (4.5-11.8)	4 4 4
21	93102-25121-00	OIL SEAL (SD-25-40.6-9)	1 1 1
22	92901-12100-00	WASHER, spring	1 1 1
23	90170-12064-00	NUT (256-11556-00)	1 1 1
24	90280-04005-00	KEY, woodruff (341-11545-00)	1 1 1
25	93440-78011-00	CIRCLIP (78φ special)	1 1 1
26	256-16111-00-00	GEAR, primary drive (27T)	1 1 1
27	90201-16579-00	WASHER, plate	1 1 1
28	256-13324-01-00	GEAR, drive 1 (17T)	1 1 1
29	92901-14100-00	WASHER, spring	1 1 1
30	90170-14076-00	NUT (256-11555-00)	1 1 1
31	93603-17070-00	PIN, dowel (3-16.8)	1 1 1
32	90282-07023-00	KEY, straight	1 1 1

XS650D

Piston Skirt Clearance (new/max.)	.050 ~ .055mm (.0020 ~ .0022") / 0.1mm (.004")
Ring End Gap (top/2nd/3rd)	0.2 ~ 0.4mm (.008 ~ .016") / Same / φ
Clearance (top/2nd/3rd)	0.1 ~ 0.2mm (.004 ~ .008") / 0.2 ~ 0.3mm / φ